

DC COMPRESSOR REFRIGERATOR

● Packing list

No	Name	Number	Remark
1	dc compressor refrigerator	1	
2	user's manual	1	
3	ice tray	1	
4	ice shovel	1	
5	power cord	1	
6	AC/DC adapter	1	optional

DC COMPRESSOR REFRIGERATOR

User's Manual

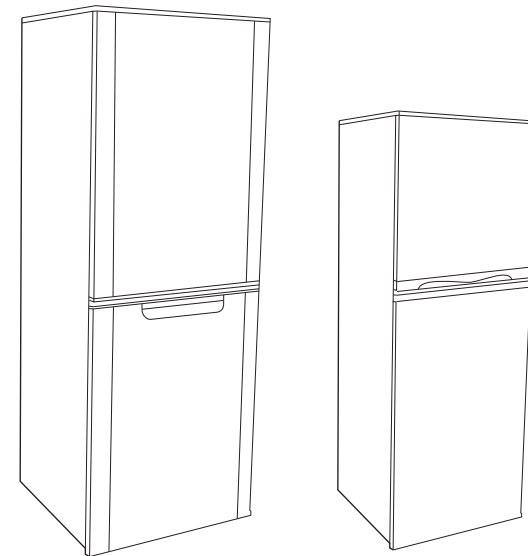
■ suitable for models:

○ BCD-118

○ BCD-142

○ BCD-158

○ BCD-176



Note: please read this manual carefully before use, and make sure to operate according to the instruction.

DC COMPRESSOR REFRIGERATOR

the cooling circulation.

- Put food, watery food in particular into poly pack or sealed container before placing them inside your refrigerator.
- To reduce energy consumption, please cool the hot food before placing them into the refrigerator.
- Do not open the door frequently to help in reducing energy consumption.

The refrigerator is not suitable for storing articles which is strict on temperature condition, such as serum, vaccine and other academic material.

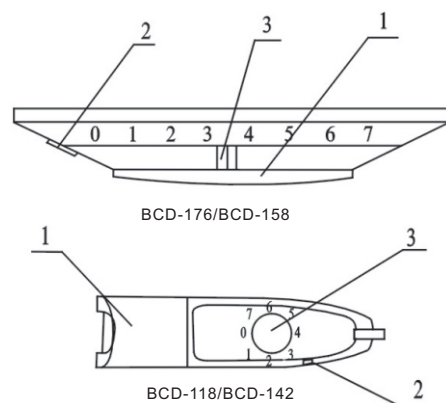
Be sure to take away the bottom foam before use.

● Temperature control

The knob of temperature controller is for adjusting inside temperature. The digits don't mean the degree of temperature. The position "0" means that your refrigerator stops working. The inside temperature gets lower and lower when switching the knob from 0 to 7. for general use, position 4 is correct.

Temperature compensation switch

When the ambient temperature is below 16°C, turn the switch on. When the ambient temperature is above 16°C, turn the switch off.



1. Lighting bulb 2. Temperature compensation switch 3. knob

DC COMPRESSOR REFRIGERATOR

● About the refrigerating cabinet

- Put foods for short-term storage or serving anytime inside the refrigerating cabinet. which include vegetables, fruits, drinks and so on.
- For food that is high in water content, please wrap it with paper first before putting inside.
- The shelves inside the cabinet can be adjusted as required for convenient storage of foods at different sizes. Handle with care when changing position of the shelves.
- Be sure not to keep food jammed together, which may affect cooling circulation, leading to large energy consumption.
- The vegetable and fruit case is ideal for storing vegetables and fruits, which is easy to put out for use.
- Door bin is for storing egg, packaged drinks and other small things. if you do not need, never try to take it off.

● About the freezing cabinet

- Usually the temperature of the freezing cabinet is below 18°C that can preserve food in fresh state for along term, as such. It's better for long-term storage of food. However, be sure to follow the shelf life marked on the food.
- Never place food with acid or alkaline type into the freezing cabinet. Otherwise, the aluminum surface or the vaporizer may become corrosive.
- The hot food should cool down to room temperature before putting into the freezing cabinet
- It's better to divide the food into normal serving sizes before freezing. Meanwhile flatten the food as possible for freezing and thawing easily.
- Don't put glassware or other enclosed container into the freezing cabinet, which may be broken due to freezing
- Don't put too much fresh food at any one time, be sure not to exceed the freezing capacity of the freezer. Otherwise, it may affect freshness of other frozen food.

DC COMPRESSOR REFRIGERATOR

● Specifications

Model Data	BCD-118	BCD-142	BCD-158	BCD-176
Type	Double-door and direct-cooling refrigerator			
Climate Class	N	N	N	N
Total Capacity(L)	118	142	158	176
Capacity of Freezer(L)	47	47	58	76
Capacity of Refrigerator(L)	71	95	100	100
Rated Voltage	12V/24V DC			
Total input Power(W)	72	72	72	72
Input Power of Bulb(W)	4			
Refrigerant	R134a			
Noise(dB)	≤40			
Freeze Capacity	0° C~10° C at 30 °C ambient temperature			
Product Dimension(mm)	485X470X1170	485X470X1260	535X500X1375	535X500X1455
Pack Dimension(mm)	535X515X1235	535X515X1325	605X565X1445	605X565X1525
N.W(Kg)	30	32	41	43



Attention, important! All the datas in the manual may have any difference from the product you bought, We will preserve right of final explanation.

DC COMPRESSOR REFRIGERATOR

● Dear customer:

Thank you for purchasing a our company brand refrigerator. We are a professional manufacturer and supplier of DC compressor refrigerators. With advanced technology, we are making quality DC compressor refrigerators in good cooling performance, low energy consumption and low noise. With the purpose of offering you good service, we make declaration as following:

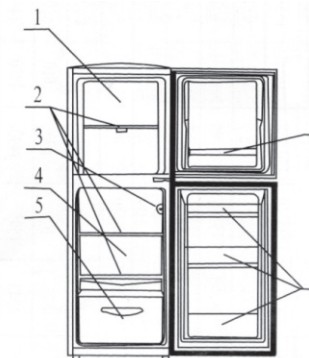
1. A 1-year warranty is covered on all of our refrigerators. free repair service should be supplied within warranty period.
2. The warranty is valid from the date of the purchasing voucher.
3. The warranty does not cover the damage due to your improper use.
4. You are welcome to give comments on our products and service.

● Instruction of structure



BCD-158/BCD-176

1. egg tray
2. temperature controller
3. bottle shelf
4. refrigerator chamber
5. jumbo bottle shelf
6. water outlet
7. vegetables & fruits case
8. freezer drawer



BCD-118/BCD-142

1. freezer chamber
2. shelf
3. shield of temperature controller
4. cold storage chamber
5. vegetable & fruits case
6. freezer door bin
7. refrigerator door bottle shelf

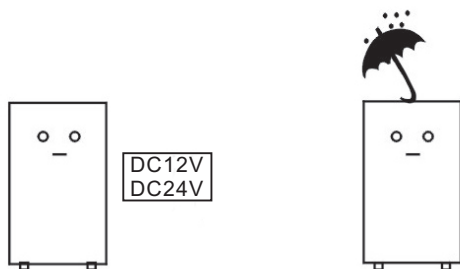
DC COMPRESSOR REFRIGERATOR

- Above instruction is for reference purposes only. This may differ slightly from the product that you have purchased.

● Safety & Precaution

For the sake of personal security ,please always read and follow all safety instructions.

1. when you want to switch off the power, please holding the plug to pull out instead of holding the wire.
2. when you find the gas leaking, please keep the room ventilated but never try to pull out the plug. otherwise, an electric spark may occur causing danger to you and your unit.
3. avoid splashing or spraying water on the refrigerator
4. never store glass bottle in the freezer
5. be sure no explosive articles or dangerous chemicals are stored inside.
6. when moving and using the refrigerator, pls always keep it upright.
7. always ensure the correct voltage and current is applied to the refrigerator.
8. When using the AC/DC adapter, ensure the AC power is applied to the adapter.
9. do not keep corrosive or solvent material in your refrigerator.
10. never obstruct vents as they supply necessary airflow to motor and fan.
11. never try to use your refrigerator if the conditions don' t conform to the above terms.



DC COMPRESSOR REFRIGERATOR

● Attention

1. Do not spray / splash your refrigerator with water directly, which may cause rusting and trouble Wipe to dry around electric element
2. Never use washing powder, alkaline detergent, steel brush, gasoline, thinners, alcohol, kerosene, acid or boiling water for cleaning your refrigerator . otherwise, some parts of your refrigerator may damage.
3. Never use chemical wiper for cleaning your refrigerator . Otherwise, some parts of your refrigerator may damage.
4. Clear away the oil stain inside in time , as the oil stain may quicken the aging of plastic parts.
5. Check the following after cleaning
Check the cord if it' s cracked or damaged.
Check the plug is well connected with the socket.
Check if the plug is with abnormal cases, like scorching

● Defrosting

- Excessive frost coverage may affect refrigerating performance and increase power consumption . When some loose frost forms inside freezer chamber, please use scoop to remove.
- If the frost is ice-like, better to stop running for defrosting .
- Dry the thawed water by sucking with towel or soft cloth.
- Generally the defrosting interval is 2-3months, the thawed water automatically runs into the collecting tray on the top of compressor , which can vaporize out under heating radiation from the compressor .
- When the water does not vaporize, due to opening the door frequently, remove tray and empty the water.

DC COMPRESSOR REFRIGERATOR

- Do not open the door frequently to prevent losing of cooling air
- Generally, take out food as required an amount for thawing , never freeze those thawed food again. as the quality of food may go bad. Freeze again only after cooking.
- When the drawer is frozen up with vaporizer, defrost first before taking apart the drawer from the vaporizer. Otherwise , the vaporizer may damage .

● Packing and moving

- Unpacking , repacking ,moving
Please keep in mind the original place of the parts while unpacking for checking , repack as per original position for moving after checking
- Keep upright and avoid knocking while moving
Never try to bottom up your refrigerator when moving . If necessary to keep leaning ,the leaning degree between refrigerator and ground should be less than 45 degree
- Be careful not to hold the door or door handle while moving , so as to avoid deforming or taking off of the door or door handle
- Be sure not to knock or shake heavily while moving

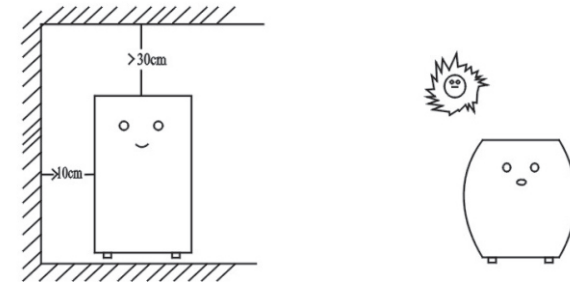
Cleaning & care

- Your refrigerator is for preserving food .Regularly cleaning is necessary to keep wholesome inside . please unplug from power supply before cleaning .
 - Internal care
Use a piece of soft cloth dipped with lukewarm water or neutral detergent(that' s used for washing dishes and bowls) for wiping to clean. If detergent is used , be sure to clean with water and dry with cloth. For those that can be removed, can be cleaned.
 - Maintenance on door seal
The door seal, the bottom seal of the upper door in particular, is easily to damaged when it' s stained with oil or some sauce for a long time.
Be sure to clean it carefully and regularly.
 - External cleaning
Wipe away dust on surface with soft cloth, Dip some neutral detergent for cleaning if some oil stains are difficult to remove.
 - How to change the bulb
When the bulb is damaged, unplug first and take off the cover, and change a new bulb of DC12V/4W.

DC COMPRESSOR REFRIGERATOR

● Install properly

- Select a horizontal and solid enough space to install your refrigerator.
 - To ensure proper ventilation for your refrigerator so as to reduce the thermal stagnation, improve refrigerating efficiency and save energy.
 - Allow for a 10-15cm space around the refrigerator and above 30cm at the top.
 - Leave a space to allow for the door to swing 135 degree when opening
 - Ensure no direct sunlight or heat source are near your refrigerator. Don' t install your refrigerator in a location wherethere is lots of humidity that may cause rusting and trouble.
 - When instalingl your refrigerator on a carpet floor please use a solid pad on the carpet for placing the refrigerator



● How to use

The refrigerator can be operated between 10.4V and 16.8V or between 22.3V and 30.7V DC power. If the voltage is out of above range, it will auto cut off to protect the refrigerator. However, when the voltage exceeds the allowed range too much, it may damage the refrigerator.

- When using for the first time, please keep your refrigerator empty and running until the compressor stops automatically, which will last for about 2-3 hours.
- How to make ice cube: add water into icebox at required level and put it inside the freezer cabinet, switch the temperature knob at "7" position and wait for 2-3 hours, then the ice will be formed inside. Do take out the icebox with care to avoid the ice breaking.
- Put food inside properly, not to jam them together, which may affect

Table of Contents

- Dear customer _____ 1
- Instruction of structure _____ 1
- safety & Precaution _____ 2
- Install properly _____ 3
- How to use _____ 3
- Temperature control _____ 4
- About the refrigerating cabinet _____ 5
- About the freezing cabinet _____ 5
- Packing and moving _____ 6
- Cleaning & care _____ 6
- Attention _____ 7
- Defrosting _____ 7
- Specifications _____ 8
- Trouble shooting _____ 9
- Pack list _____ 10

● Trouble shooting

- 1.No refrigerating
 Check if the plug is in?
 No power?
 Check if cord is damaged?
 Check if voltage is abnormal?
2. Refrigerating not desirable
 Frost too much?
 Check if the knob is turned between 1 and 4?
 Opening door too frequently or opening duration is too long?
- 3.Too much noise
 Check if the floor is level or unstable?
 Is anything touching your refrigerator?
4. Compressor working too long
 Is the ambient temperature high?
 Is the door opened too frequently?
 Is the door not tightly closed?
 Is the setting of temperature controller at 4-7?
- 5.Abnormal smell inside
 Is any food not wrapped well?
 Is any food going bad?
 Does your refrigerator need cleaning?
- 6.Water deposited beneath your refrigerator or spilling out
 Is water outlet of the refrigerator blocked ? Keep clean and smooth
- 7.Thick frost deposited on rear of the refrigerator
 Is any watery food or hot food stored inside?
 Is the ambient humidity high?

The following is not a problem

- 1.During rainy season, condensation frequently happens outside your refrigerator. Wipe dry only with cloth.
- 2.Sound of running water that's caused by the following of refrigerant. heating outside during working due to the radiation pipe around the refrigerator

Please contact our technical service center when you still can not solve the problems by following the above.